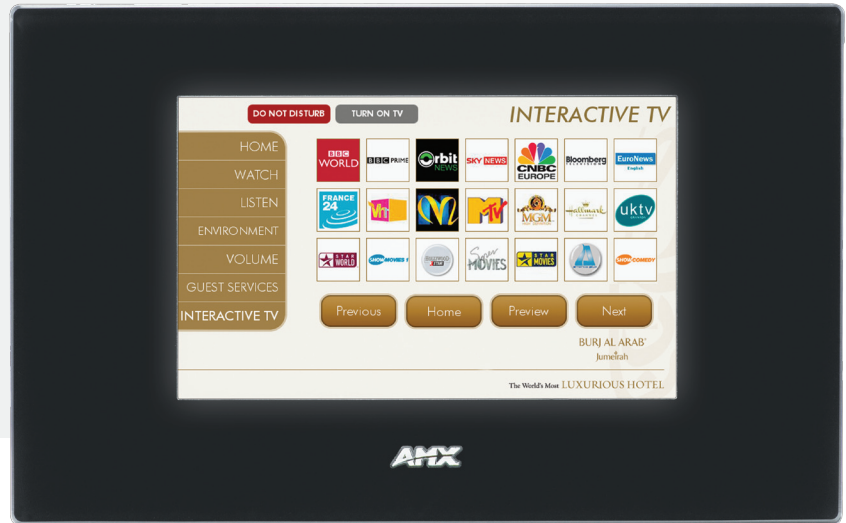


Modero® Touch Panels 5.2" Modero ViewPoint® IR Widescreen Touch Panel



The MVP-5100 brings a new level of simplicity to the 5.2" MVP family. The MVP-5100 is a 5.2" Touch Panel built on the same lightning fast processor as the MVP-5200i and offers the same eye-popping, crisp, clean, high-resolution graphics in an ultra-light compact design that is easy to carry around the home or office. The MVP-5100 offers cost-effective, one-way IR communication, perfect for controlling third party IR devices from the bedroom to the conference room.

ULTRA BRIGHT WIDESCREEN DISPLAY

With 800x480 pixel resolution, the MVP-5100 is our brightest touch panel display. Colors are displayed crisply, clearly and accurately. Its 16x9 screen size provides plenty of widescreen multimedia display options.

INCREASED INFRARED CAPABILITY

The MVP-5100 offers a total of ten IR ports: (1) 38kHz AMX port, (1) 455kHz AMX port, and (8) user-defined IR ports for direct communication with third party IR-enabled equipment.

- Ultra-light, compact and thin form factor
- Faster processing and energy efficient
- High-gloss black styling
- Charging options include table charging station (MVP-TCS52) and wall charging station (MVP-WCS52) (kickstand not available)
- Just the right features and just the right price
- (10) IR ports: (1) 38kHz AMX, (1) 455kHz AMX, (8) user IR



MVP-5100 (FG5966-08)

DIMENSIONS (HWD)

4 5/8" x 7 1/2" x 3/4" (11.7 cm x 19.1 cm x 2.0 cm)

POWER

110-240VAC +/- 10%, 50/60Hz

MINIMUM POWER SUPPLY REQUIRED

PS3.0 Power Supply (FG423-30):

All MVP-5100 models are shipped with this power supply

POWER MODES

- ON: All necessary modules are powered up and device remains online with the Netlinx Master.
- STANDBY: LCD/backlight shutdown. Panel resumes the ON mode instantly upon screen touch.
- FULL-OFF: Power to all peripherals and components is turned off. Reboot required to wake.

CERTIFICATIONS

- FCC Part 15 Class B and CE
- IEC60950

BATTERY DURATION

- Three hours of continuous use
- 2.5 days of normal use (25% On, 25% Standby, 50% Off)

MEMORY

- 128 MB NAND FLASH
- 256 MB Mobile DDRAM

WEIGHT

1.2 lbs (0.6 kg)

SCREEN PROPERTIES

- Contrast Ratio: 400:1
- Screen Resolution: 800 x 480 pixels WVGA
- Aspect Ratio: 16 x 9
- Brightness (Luminance): 300 cd/m²
- Display Colors: 262,144 colors (18-bit color depth)
- Dot/Pixel Pitch: 180 dpi
- Panel Type: TFT Color Active-Matrix

VIEWING ANGLE

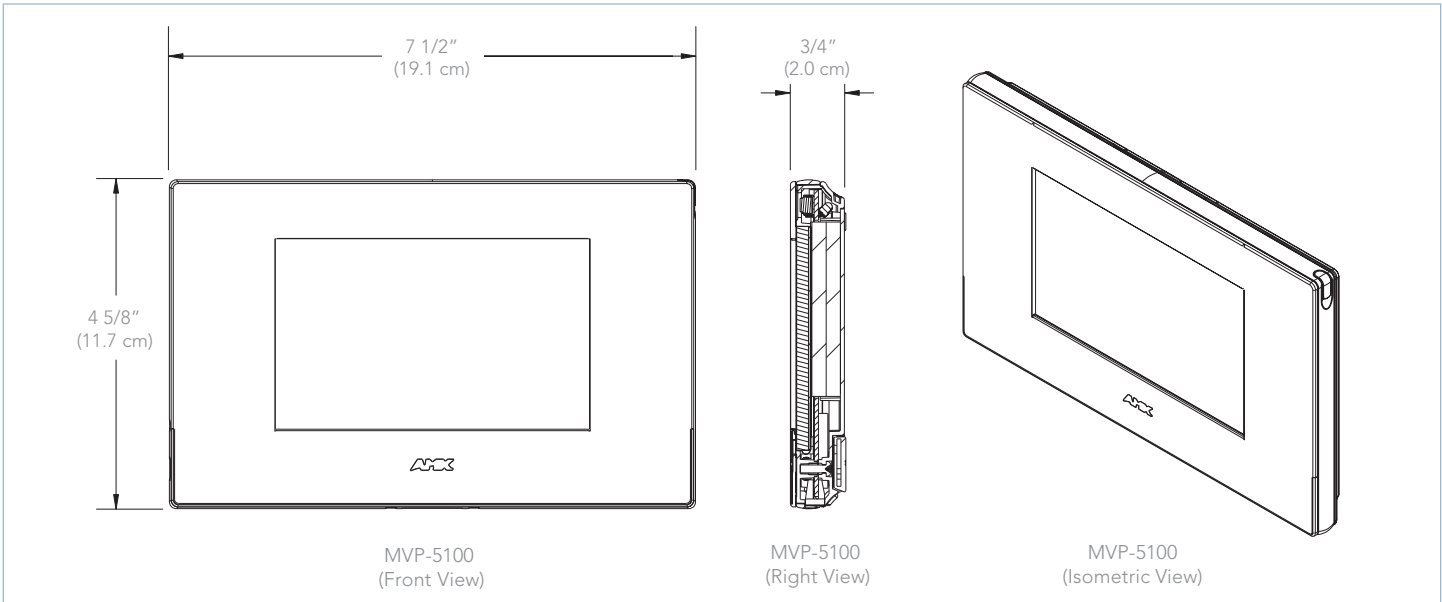
+/- 60° (horizontal) and + 80°/- 40° (vertical)

OPERATING/STORAGE ENVIRONMENTS

- Operating Temperature: 0° C (32° F) to 40° C (104° F)
- Operating Humidity: 20% - 85% RH
- Storage Temperature: -20° C (-4° F) to 60° C (140° F)
- Storage Humidity: 5% - 85% RH

INCLUDED ACCESSORIES

- PS3.0 Power Supply (FG423-30)
- Stylus (pre-installed onto the left side of the unit)
- Integrated battery



IT'S YOUR WORLD. TAKE CONTROL.