

# Modero® Touch Panels

## 10" Modero Wall/Flush Mount Touch Panel

Featuring Intercom with VoIP



The intercom-enabled NXD-1000Vi Modero® Touch Panel utilizes VoIP technology to give users the ability to instantly create a high-quality, digital home/office intercom network with no additional equipment required. By utilizing VoIP intercom, system integration is simple and calls sound incredibly clear. In addition to the already rich Modero Touch Panel feature set, this panel also includes telephone voice quality audio, expanded memory and enhanced touch sensitivity.

### DIGITAL INTERCOM BUILT IN

The integrated digital intercom featuring VoIP technology gives users the ability to create a high-quality intercom network with no additional equipment required. Calls sound incredibly clear and an unlimited number of intercom calls can occur simultaneously.

### LESS IS MORE

Think boardrooms, meeting areas, offices and other commercial environments, where productivity is paramount yet space for a touch panel may be limited. The NXD-1000Vi allows you to accomplish greater control using an expansive 16x9 aspect ratio user interface but in a lower profile that features a small footprint.

- 10" active-matrix display with 16:9 Aspect Ratio
- Screen Resolution (HV): 800 x 480 pixels / Display colors: 256 K (18-bit color depth)
- Anti-glare overlay, motion sensor and light sensor
- Intercom with VoIP technology featuring built-in speaker and microphone
- Enhanced G.711 telephone-voice-quality sound (75dB SPL @ 1 meter)
- Two bezels included: with and without tactile buttons



## NXD-1000Vi (FG2259-04K)

### DIMENSIONS (HWD)

7 1/4" x 10 1/4" x 2 7/8" (18.4 cm x 26 cm x 7.2 cm)

### POWER

- Constant current draw: 1.3 A @ 12 VDC
- Startup current draw: 1.3 A @ 12 VDC

### WEIGHT

2.65 lbs (1.20 kg)

### MINIMUM POWER SUPPLY REQUIRED

PSN2.8 Power Supply (FG423-17)

### MEMORY

- 128 MB SDRAM
- 128 MB Compact Flash (upgradeable to 1 GB – factory programmed)

### CERTIFICATIONS

- FCC Part 15 Class B and CE
- IEC60950

### PANEL LCD PARAMETERS

- Aspect ratio: 16 x 9
- Brightness (luminance): 350 cd/m<sup>2</sup>
- Channel transparency: 8-bit Alpha blending
- Contrast ratio: 250:1
- Display colors: 256 thousand colors (18-bit color depth)
- Dot/pixel pitch: 0.28 mm
- Panel type: TFT Color Active-Matrix
- Screen Resolution: 800 x 480 pixels (HV) @ 60 Hz frame frequency
- Video format: NTSC, PAL, and SECAM

### VIEWING ANGLE

- 95° total viewing angle
- Vertical: + 45° (up from center) and -65° (down from center)

### IR RECEPTION ANGLE

- Horizontal: + 50° (left and right from center)
- Vertical: + 30° (up and down from center)

### FRONT PANEL

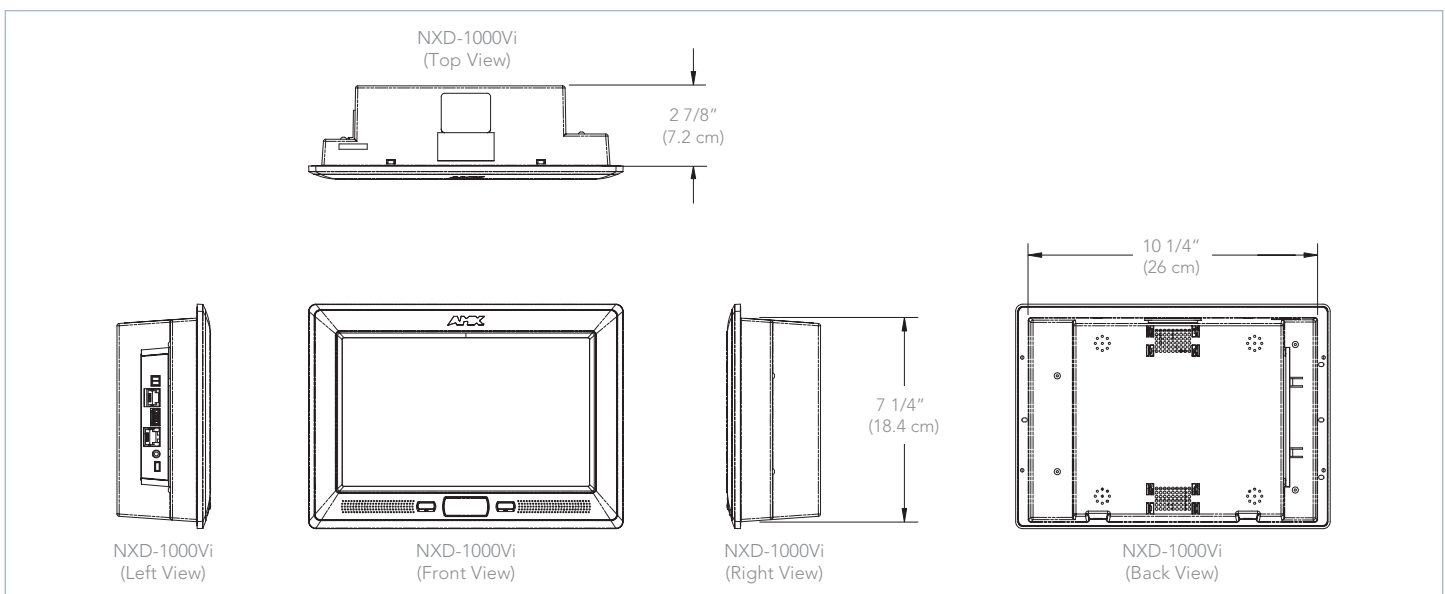
- Light Sensor: Photosensitive light detector for automatic adjustment of the panel brightness
- Motion Sensor (PIR): Proximity Infrared Detector to wake the panel when panel is approached
- IR Receiver: 38 KHz and 455 KHz AMX IR frequencies

### OPERATING/STORAGE ENVIRONMENTS

- Operating Temperature: 0° C (32° F) to 40° C (104° F)
- Operating Humidity: 20% - 85% RH
- Storage Temperature: -20° C (-4° F) to 60° C (140° F)
- Storage Humidity: 5% - 85% RH

### INCLUDED ACCESSORIES

- Installation Kit for NXD-1000Vi panels (KA2259-02):
  - 2-pin 3.5 mm mini-Phoenix connector (41-5025)
  - Three Drywall clips (62-5924-05) and #6 - sheet metal screws (80-0192)
  - Four Phillips-head screws (#4-40 x 0.250 Black) (80-0112)
- NXA-AVB/ETHERNET Breakout Box (FG2254-10)
  - Provides video/audio distribution to the A/V panel over CAT5 cable (up to 200'/60.96 m) and accepts either Composite or S-Video
- Trim Ring with button openings (60-2259-05)
- Trim Ring without button openings (60-2259-04)



IT'S YOUR WORLD. TAKE CONTROL.