

Modero® Touch Panels

10" Modero Table Top Touch Panel



The NXD-1000Vi is an incredibly versatile user interface, combining Wall/Flush Mount flexibility, Composite/S-Video support and the ability to create a high quality digital home/office intercom network or to make/receive digital local, long distance and international telephone calls. Simply add the AMX SIP Communications Gateway (FG2182-0X) for calls that sound incredibly clear.

COMMON APPLICATION

For hotel registration desks, building control rooms, office credenzas and other locations that require an elegant user interface with powerful control features.

FEATURES

- 10" active-matrix display with 16:9 aspect ratio
- Screen Resolution (HW): 800 x 480 pixels
- Display colors: 256K (18-bit color depth)
- Supports analog stereo audio, Composite Video and S-Video
- Composite/S-Video inputs via NXA-AVB/Ethernet Breakout Box
- Playback of MP3 and WAV audio files
- Built-in Speakers (2) and microphone
- Motion Sensor (PIR) and Light Sensor
- 64 MB SDRAM/256 MB CompactFlash Memory (upgradeable)
- Wired 10/100 Ethernet



NXT-CV10 Without Pushbuttons (FG2259-01K)
NXT-CV10/PB With Pushbuttons (FG2259-03K)

DIMENSIONS (HWD)

7 15/16" x 11 3/16" x 7 3/8" (20.2 cm x 28.3 cm x 18.8 cm)

WEIGHT

2.65 lbs (1.21 kg)

POWER

- Constant current draw: 1.2 A @ 12 VDC (stand alone)
- Startup current draw: 1.8 A @ 12 VDC (stand alone)
- Minimum Power Supply Required: PSN2.8 Power Supply (FG423-17)
(Using accessories can increase the power draw requirements)

MEMORY

- 64 MB on-board memory
- 256 MB Compact Flash (upgradable to 1 GB factory programmed)

LCD PARAMETERS

- Aspect Ratio: 16:9
- Brightness: 350 cd/m2
- Channel transparency: 8-bit Alpha blending
- Contrast ratio: 250:1
- Display colors: 256K (18-bit color depth)
- Dot/pixel pitch: 0.28 mm
- Screen resolution (HV): 800 X 480 pixels @ 60 Hz frame frequency
- Video formats: NTSC, PAL, and SECAM

VIEWING ANGLE

- 95° total viewing angle
- Vertical: + 45° (up from center) and -65° (down from center)

IR RECEPTION ANGLE

- Horizontal: + 50° (left and right from center)
- Vertical: + 30° (up and down from center)

SUPPORTED AUDIO SAMPLE RATES

48000Hz, 44100Hz, 32000Hz, 24000Hz, 22050Hz, 16000Hz, 12000Hz, 11025Hz, and 8000Hz

FRONT PANEL

- Light Sensor: Photosensitive light detector for automatic adjustment of the panel brightness
- Motion Sensor (PIR): Proximity Infrared Detector to wake the panel when panel is approached
- IR Receiver: 38 KHz and 455 KHz AMX IR frequencies
- Sleep Button: Pushbutton (gray) provides both access to the Setup and Calibration page and toggles the panel between a "sleep" or "wake" state
- Microphone: Used for intercom applications (requires the NXA-AVB/ETHERNET Breakout Box for analog communication)
- Speakers: Stereo output with a frequency response of 500 Hz - 7 KHz
- LEDs: 6 blue LEDs (support On and Off) (On FG2259-03K only)
- 6 programmable pushbuttons (On FG2259-03K only)

REAR CONNECTORS

- Mini-USB Connector: 5-pin Mini-USB connector used for programming, firmware update, and touch panel file transfer between the PC and the target panel
- Stereo Output Connector: Stereo output through a 3.5mm mini-jack (for use with external speakers or headphones)
- Ethernet 10/100 Port: RJ-45 port for 10/100 Mbps communication

- USB Connector: Type A USB port connects an external keyboard or mouse device for use with Virtual PC applications
- Audio/Video Connector: RJ-45 connection for A/V signals (via CAT5) between the NXA-AVB/ETHERNET Breakout Box and the panel
- Power: 2-pin 3.5 mm mini-Phoenix connector

CERTIFICATIONS

FCC Part 15 Class B, CE, and EN60950

OPERATING/STORAGE ENVIRONMENTS

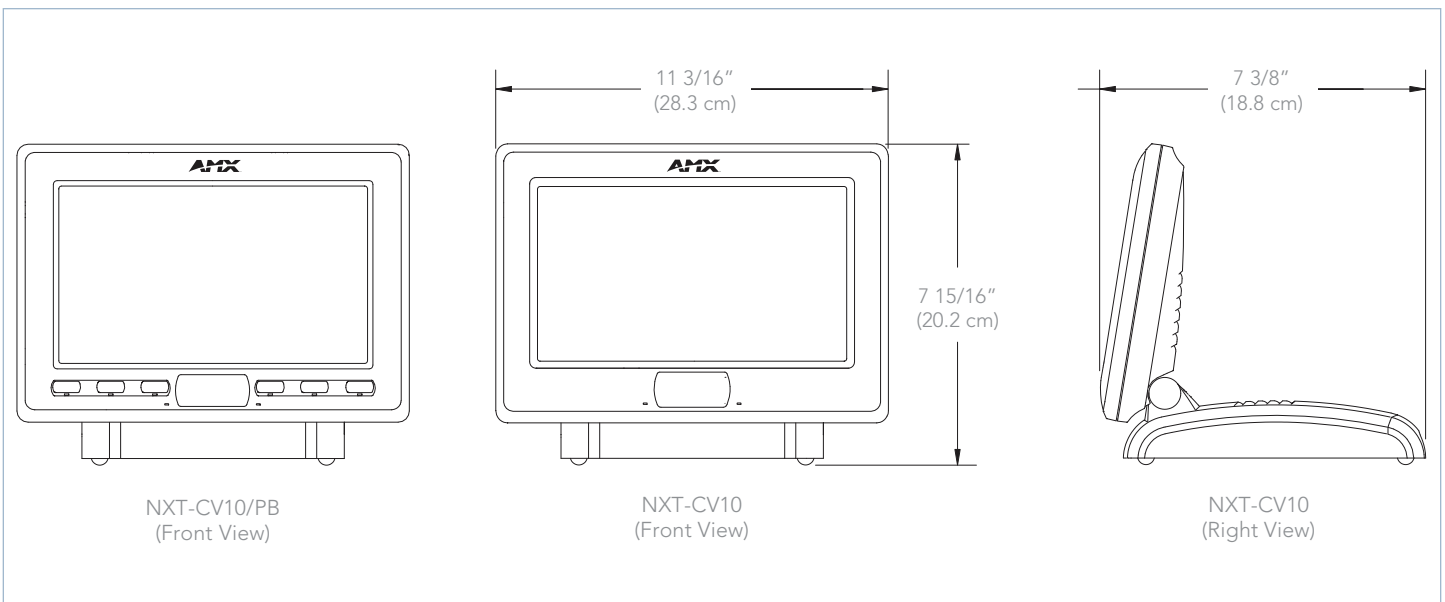
- Operating Temperature: 10° C (50° F) to 40° C (104° F)
- Operating Humidity: 20% to 85% RH
- Storage Temperature: -20° C (-4° F) to 60° C (140° F)
- Storage Humidity: 5% to 85% RH

BTU/HR

61.5

INCLUDED ACCESSORIES

- Installation Kit (KA2259-01)
- Modero 10' Table Top Cable (CA2250-50)
- NXA-AVB/ETHERNET Breakout Box (FG2254-10)



IT'S YOUR WORLD. TAKE CONTROL.