

Environmental Controls

ViewStat Color Communicating Thermostat



Remote temperature management, customized scheduling, weather information and a 3.5" color display are just a few of the features that make the ViewStat Color Communicating Thermostat a smart, efficient solution for managing comfort levels in any heated or cooled environment. And with automatic temperature adjustments and smart sensors, the ViewStat is always keeping a watchful eye on efficiency and energy savings.

COLOR COMMUNICATIONS

Featuring a bright, crisp 3.5" display, the ViewStat Color Communicating Thermostat can display date, time and outside temperature. Additionally, current conditions and a five-day forecast for the local area are displayed graphically with weather icons such as sun, clouds and rain.

CENTRAL MANAGEMENT

Up to 255 ViewStat Color Communicating Thermostats can be simultaneously managed by a single NetLinx Control System.

- 3.5" active TFT color display
- Can display date, time, outside temperature, current conditions and a five-day forecast
- Includes 7-day programmable thermostat with four set points per day
- Can communicate with and be controlled by an AMX NetLinx control system
- When used with NetLinx, displays current weather conditions and a 5-day forecast
- EnergyStar rated, Title 24 compatible
- Supports auto changeover with heat and cool set points
- Stylish design with paintable exterior to match any décor
- Versatile HVAC control of a variety of unit configurations
- Includes remote temperature sensor for remote or averaging applications



ENV-VST-C (FG2050-11K)

COMPATIBILITY

- NetLinx Control Systems
- Standalone mode (does not provide forecasting capabilities in standalone mode)

POWER

Control Voltage: 24 VAC, can be powered by HVAC system or optional power supply

DIMENSIONS (HWD)

5 1/3" x 4" x 1 1/4" (13.5 cm x 10 cm x 3 cm)

WEIGHT

5.29 oz (150 g)

SCREEN PROPERTIES

- 3.5" TFT Color Active-Matrix
- Screen resolution: 320 x 240 pixels

ENCLOSURES

White plastic paintable faceplate

TEMPERATURE CONTROL

- Temperature Range: 40° - 99° F (5° - 37° C)
- Control Accuracy: $\pm 1.0^\circ$ F (+ 0.56° C)
- Operating Range: 32° - 122° F (0° - 50° C)

HVAC CONTROL

- Single Stage Furnace & AC (5 HVAC wires)
- Two Stage Furnace & AC (7 HVAC wires)
- Roof Top Unit (Two Stage Heat & Two Stage Cool (7 HVAC wires)
- Boiler with AC (Two Transformers) / (5 HVAC wires)
- Single Stage Heat Pump
- Two Stage Heat Pump
- First Stage Radiant Floor Heat, Second Stage Furnace with One Stage of Cooling (6 HVAC wires)

INTERNAL CIRCUIT BOARD CONNECTORS

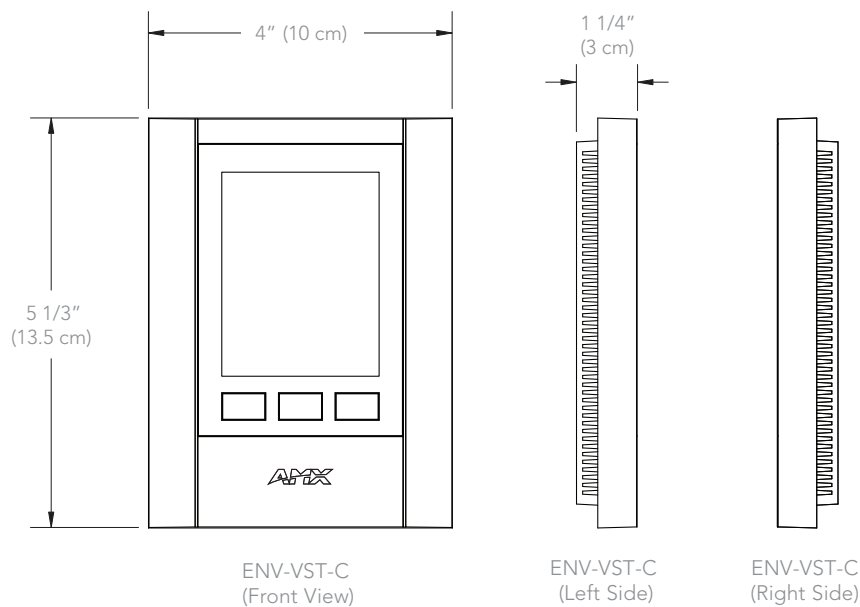
Communication and HVAC Equipment Connectors: Terminals with captive-wire connectors that connect the Thermostat, HVAC equipment, Control System, remote sensor

INCLUDED ACCESSORIES

- 3 year: Weather License (FG3005-20)
- Indoor/Outdoor Temperature Sensor (FG2050-22)

OPTIONAL ACCESSORIES

ENV-VST-TSF ViewStat Flush Mount Indoor Temperature Sensor (FG2050-21)



IT'S YOUR WORLD. TAKE CONTROL.